

Stiletto™

Low Sidelobe Antenna for Mobile Operations



Features

Field Proven Performance

Advanced Antenna Design

- High gain for maximum range
- Superior directivity to minimize multipath reflections
- Single and multi-band versions

Rugged Construction

The Stiletto™ is ideal for most mounted applications

Field Proven Performance

The Stiletto™ is field proven in everyday use with broadcasters worldwide. It is a larger version of our Silhouette™ antenna, offering a 3 dB increase in gain which effectively doubles the transmit output.

Advanced Antenna Design

The Stiletto™ incorporates important characteristics that are critical for superior performance - high gain, directivity and selectable polarization - to isolate the microwave link from interference and to provide the maximum area of coverage.

Rugged Construction

Ideal for mast-mounted installations, the Stiletto™ is designed to withstand the rigors of remote vehicle operations. The Stiletto™ features a rugged reflector that combines superior strength and light weight. In addition, the Stiletto™ features a rugged single-piece feed support that ensures proper alignment of the feed.



Stiletto™ Low Sidelobe Antenna for Mobile Operations

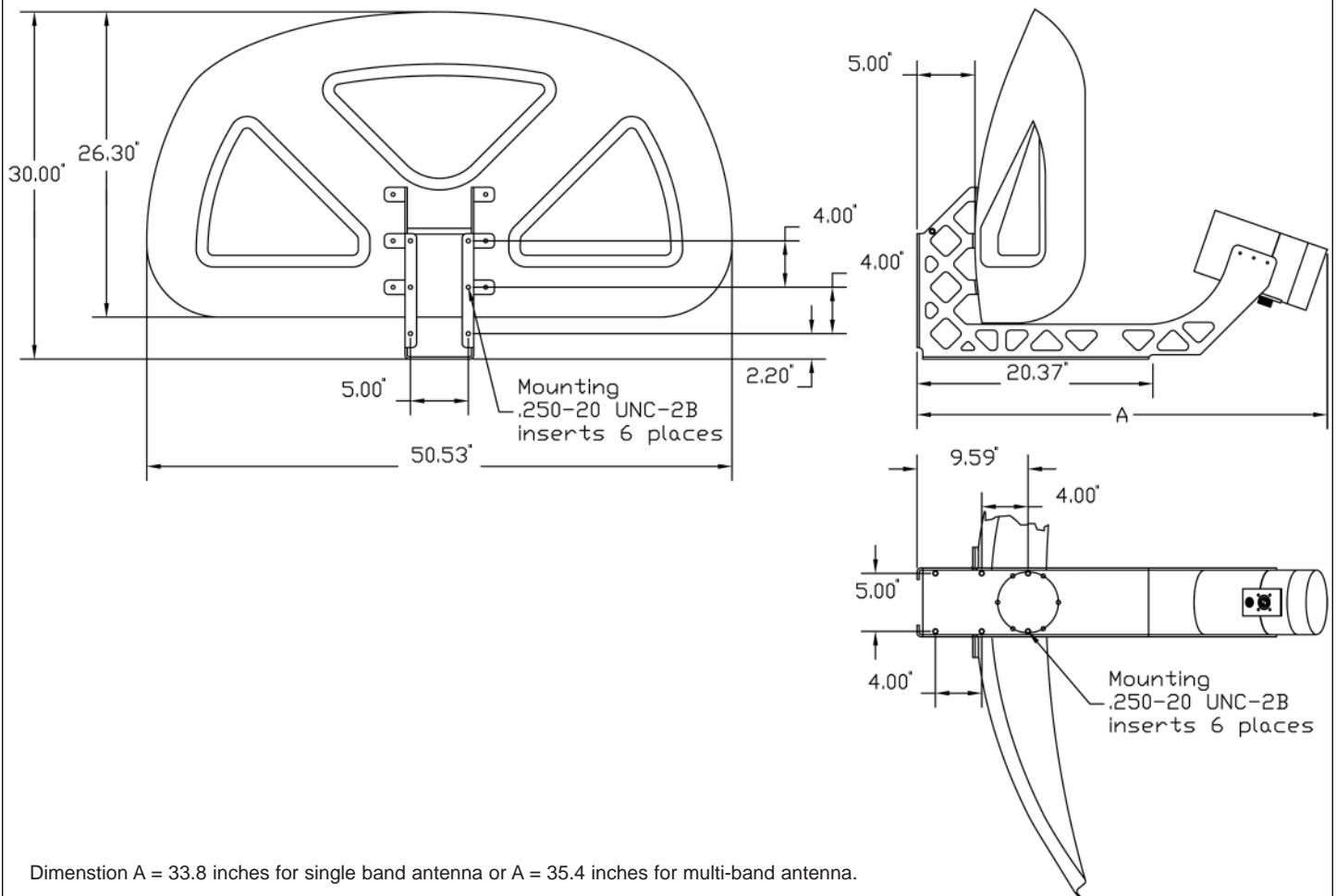
Specifications

Frequency*	Gain**	Azimuth HPBW	Elevation HPBW
2-2.5 GHz	23 dB	8 degrees	18 degrees
7 GHz	24 dB	7 degrees	14 degrees
13 GHz	33 dB	2.5 degrees	5 degrees

* Other frequencies available upon request.

** Gain referenced to a like-polarized isotrope, excluding switching options.

Stiletto™ Dimensions



Specifications subject to change without notice.