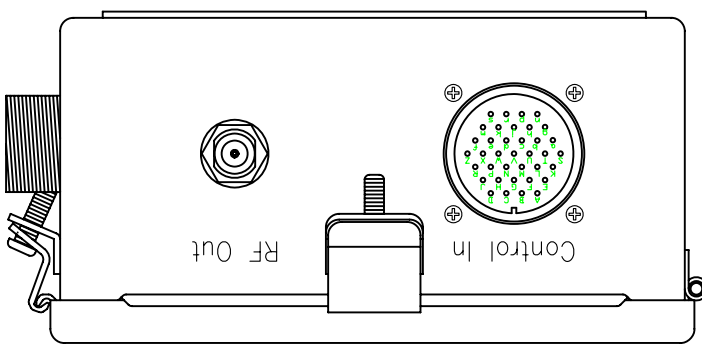
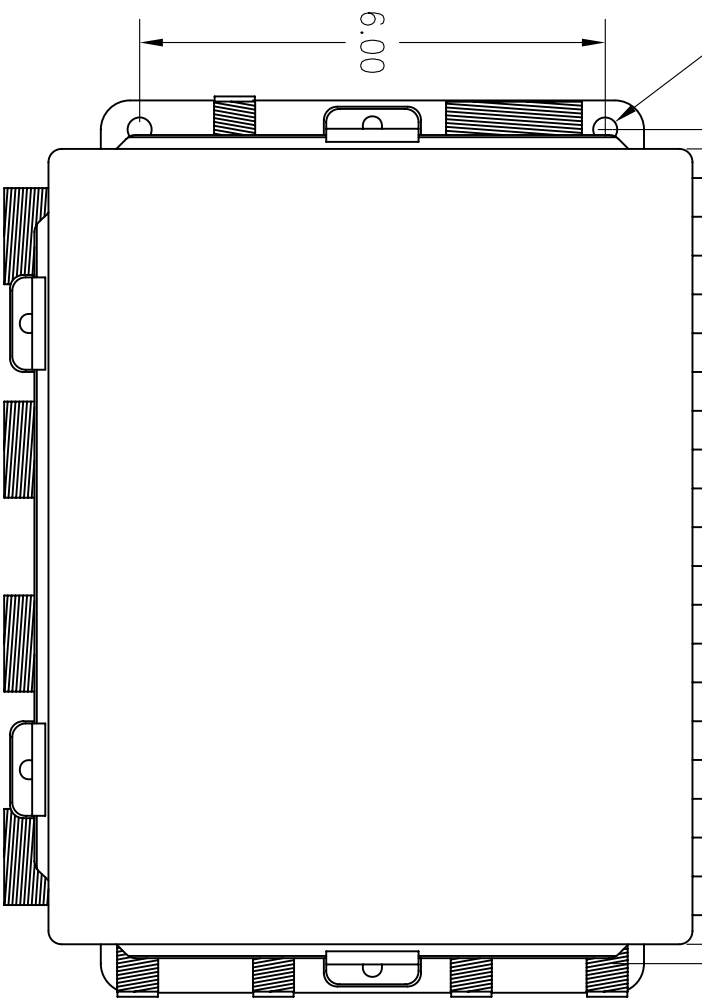


Ø.312x4  
mtg. holes

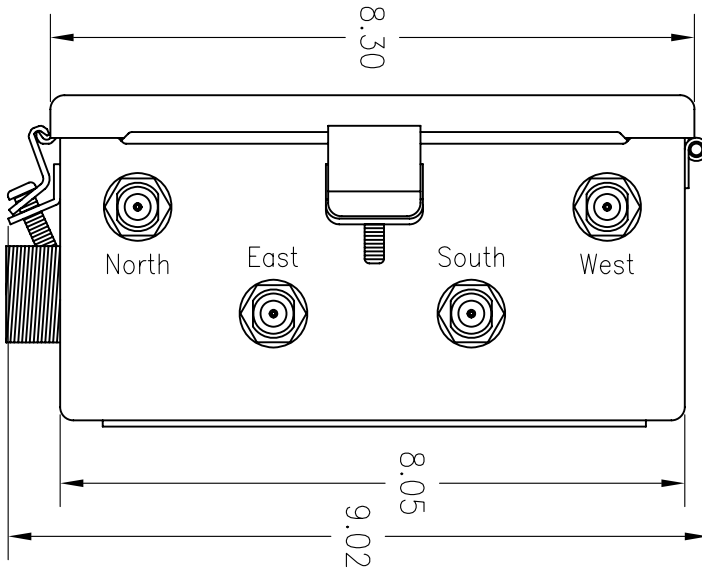


10.75  
10.25

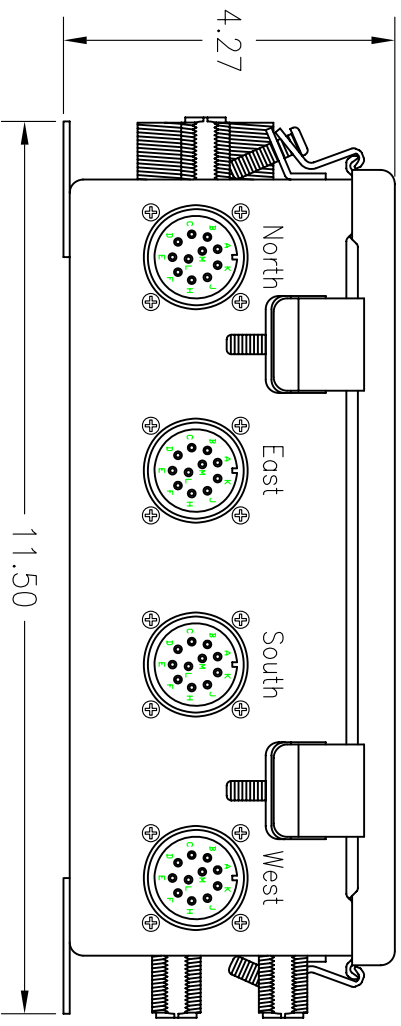


REVISIONS

SWI	ZONE	DESCRIPTION	DATE	APPROVED
B	all	Revised & Redrawn	1/18/85	EDW



CJB-0  
PN: 948-51371-000



11.50

4.27

MACHINE SURFACE  
EXCEPT AS NOTED

UNLESS OTHERWISE SPECIFIED  
DIMENSIONS ARE IN INCHES

ANGLES	.3X	.5X	.6X
DRN	R.2	W.1	W.1
CHK:			

SCALE: none

DATE: 1/18/85

BY: B

REV: 1

NSI N Systems, Inc.  
Columbia, Maryland

Outline, CJB-0  
(for Quad System)

092-51371

016-00426

SHEET 1 OF 1