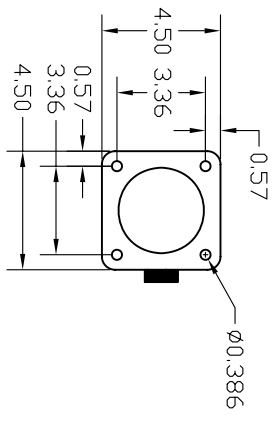
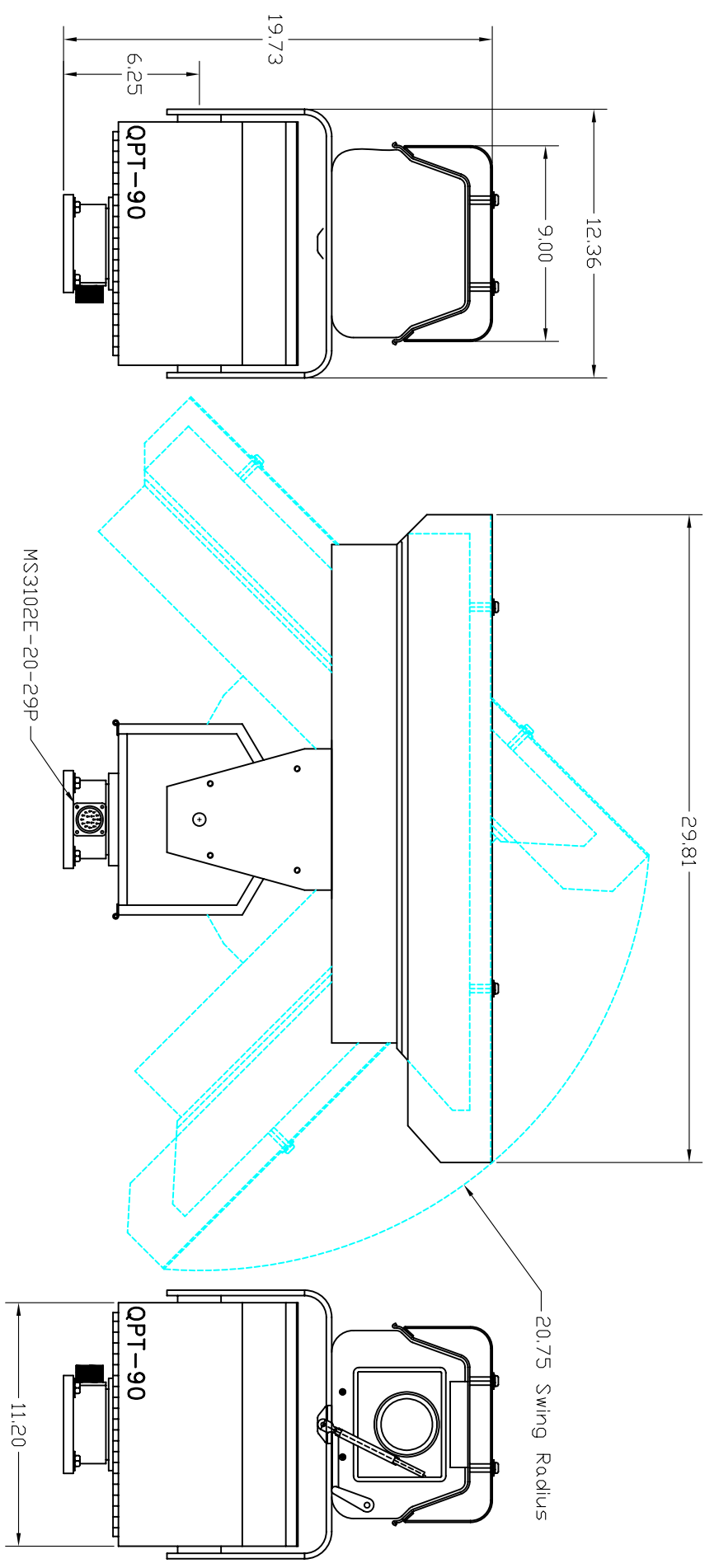


REV	ZONE	DESCRIPTION	DATE	APPROVED

REVISIONS

1



MACHINE SURFACE EXCEPT AS NOTED		UNLESS OTHERWISE SPECIFIED DIMENSIONS ARE IN INCHES.	
TOLERANCE ON			
ANGLES	XX	XX	XX
0°-15°	±0.02	±0.005	±0.005
DWN:	B. J. McVickens	DATE:	4/28/94
CHK:		SCALE:	1"=1"
NSI N Systems, Inc. Columbia, Maryland		CP5 Camera System	
Drawing/Rev. No. 016-00308		SHEET 2 OF 2	

NSI N Systems, Inc. Columbia, Maryland

CP5 Camera System

092-51649

SHEET 2 OF 2