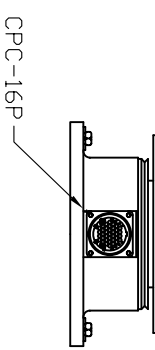
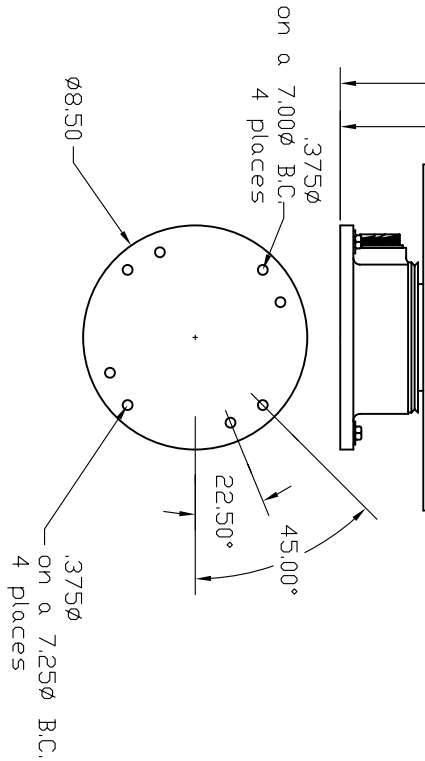
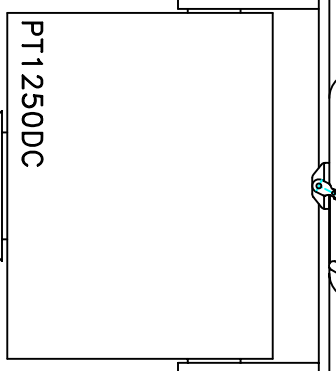
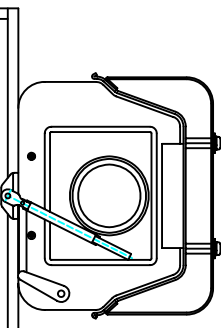
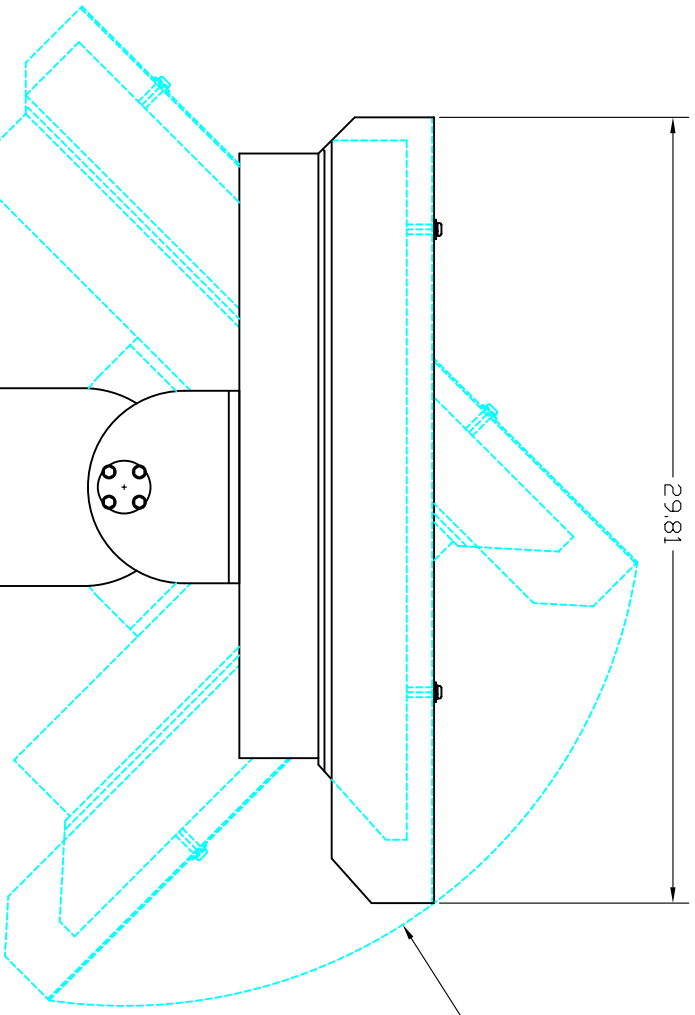
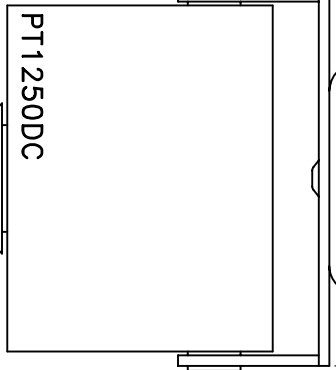
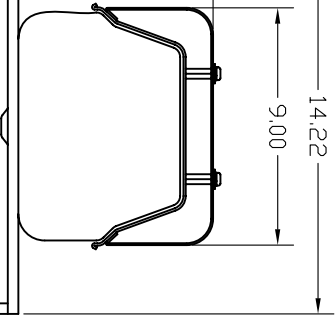


SWT ZONE	DESCRIPTION	DATE	APPROVED

REVISIONS



NSI N Systems, Inc.
 Columbia, Maryland

Outline
 CP5 Camera System

MACHINE SURFACE EXCEPT AS NOTED	TOLERANCE ON DIMENSIONS ARE IN INCHES	UNLESS OTHERWISE SPECIFIED
ANGLES	XX	XX
0°-15°	±0.02	±0.005
DWN: <i>B.D./M/12/87</i>	DATE: <i>4/28/87</i>	SCALE: none
CHK: <i>B.D./M/12/87</i>	REVISION: <i>A</i>	SHEET: <i>1</i> OF <i>2</i>

092-51649